



Engine Brand
Emission Regulation
Drum Capacity
Transmission
Chassis Driving Type
Rotation Angle

DCEC
Optional
4 m³
Full Hydraulic
4WD,2WS
270°

CLGTM204E **SELF-LOADING** **MIXER**

CLGTM204E SPECIFICATIONS >>>

SPECIFICATIONS

Drum Full Capacity	6.2 m ³
Drum Working Capacity	4.0 m ³
Loader Bucket Capacity	0.6 m ³
Remnants	≤ 0.8%
Self Rotation Angle	270°
Rotation Speed	21 r/min
Swing Angle	≥ 60°
Rated Power	93 KW / 2200 Rpm
Max Torque	460 N.m / 1400 Rpm
Engine Cylinder	4
High Speed	0-25 Km/h
Low Speed	0-9 Km/h
Min Turning Radius	6.5m
Tyre Model	16/17-20
Water Tank	500L
Accuracy Cement	≤±2%/times
Relative Error	≤±3%/times
Accuracy Water	≤±1%/times
Accuracy Additive	≤±1%/times
Accuracy Admixture	≤±2%/times

DIMENSIONS&WEIGHT

Dimensions	7500 x 2700 x 3880 mm
Weight	8300 Kg

Main Configuration

Optional engine brand and model.

Auto weighting system.

Hydraulic torque converter transmission.

4 wheel drive , 2 wheel steering.

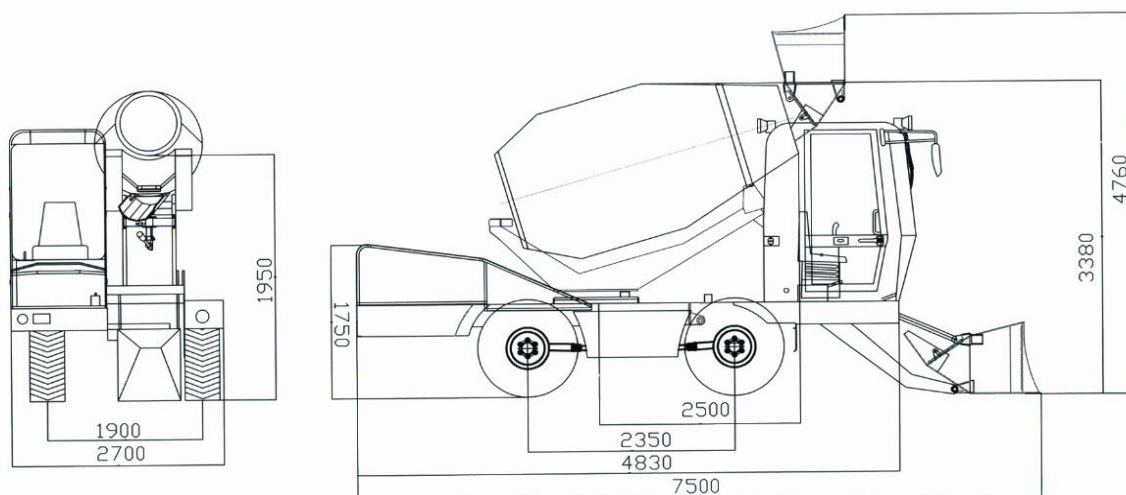
270°rotation function.

Air conditioner.

Double reverse camera.

Automatic upper water system.

Self loading mixer feature combins self-loading,weighing, mixing and discharging.It can maximize and improve the work efficiency and reduce the production time and cost.



Guangxi Liugong Machinery Co., Ltd.

No. 1 Liutai Road, Liuzhou, Guangxi 545007, PR China
T: +86 772 3886124 E: overseas@liugong.com
www.liugong.com

07/2021 Designed by LiuGong

Specifications and designs are subject to change without notice. Machines shown may include optional equipment. LiuGong standard and optional equipment may vary from region to region. Please consult your LiuGong dealer for information specific to your area. Engine power kW is converted to horsepower (1 kW=1.3596 ps and 1 kW=1.3410 hp) in this file.